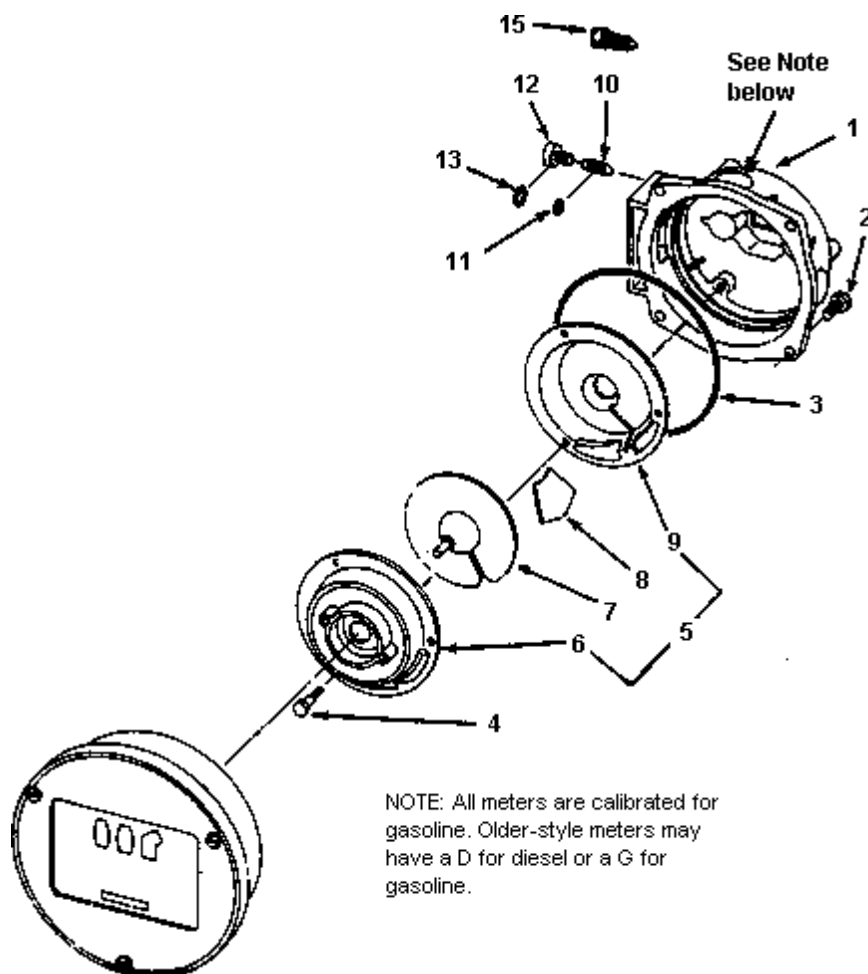


1860 AND 4860 METER-REGISTER



NOTE: All meters are calibrated for gasoline. Older-style meters may have a D for diesel or a G for gasoline.

REGISTER ASSEMBLIES

Compatible with new- or old-style adjusting screw design

**3-Wheel Disc Register (Shown Above)
(Phenolic Chamber)**

035963	US Gallons, Gas
035964	US Gallons, Diesel
036293	Full Liter, Gas
036130	Full Liter, Diesel
048478	1/10 Liter, Gas
036131	1/10 Liter, Diesel

**4-Wheel Push-Button Register (Not Shown)
Phenolic Chamber**

036400	US Gallons, Gas
036401	US Gallons, Diesel
036404	Liter, Gas
036405	Liter, Diesel

**4-Wheel Push-Button Register (Not Shown)
Bronze Chamber**

048901	US Gallons, Gas
048900	1820RC, US Gallons, Diesel

Item	Part No.	Description
1	012790	Meter Body
2	051835	Meter Body Screw
3	049075	O-Ring
4	025851	Screw
5	019016	Meas. Chamber Assy. (sold as assembly only; includes items 6-9)
	019015	Bronze Meas. Chamber
6		Meas. Chamber Top
7		Measuring Disc
8		Baffle
9		Meas. Chamber-bottom
10	053080	Adjusting Screw (Old Style)
11	048865	O-Ring, Buna
	048866	O-Ring, Viton
12	052195	Adjusting Screw, Cap
13	048895	O-Ring
14		Register Assembly (See below for list)
15	053081	Adjusting Screw (New Style; replaces items 10-12)