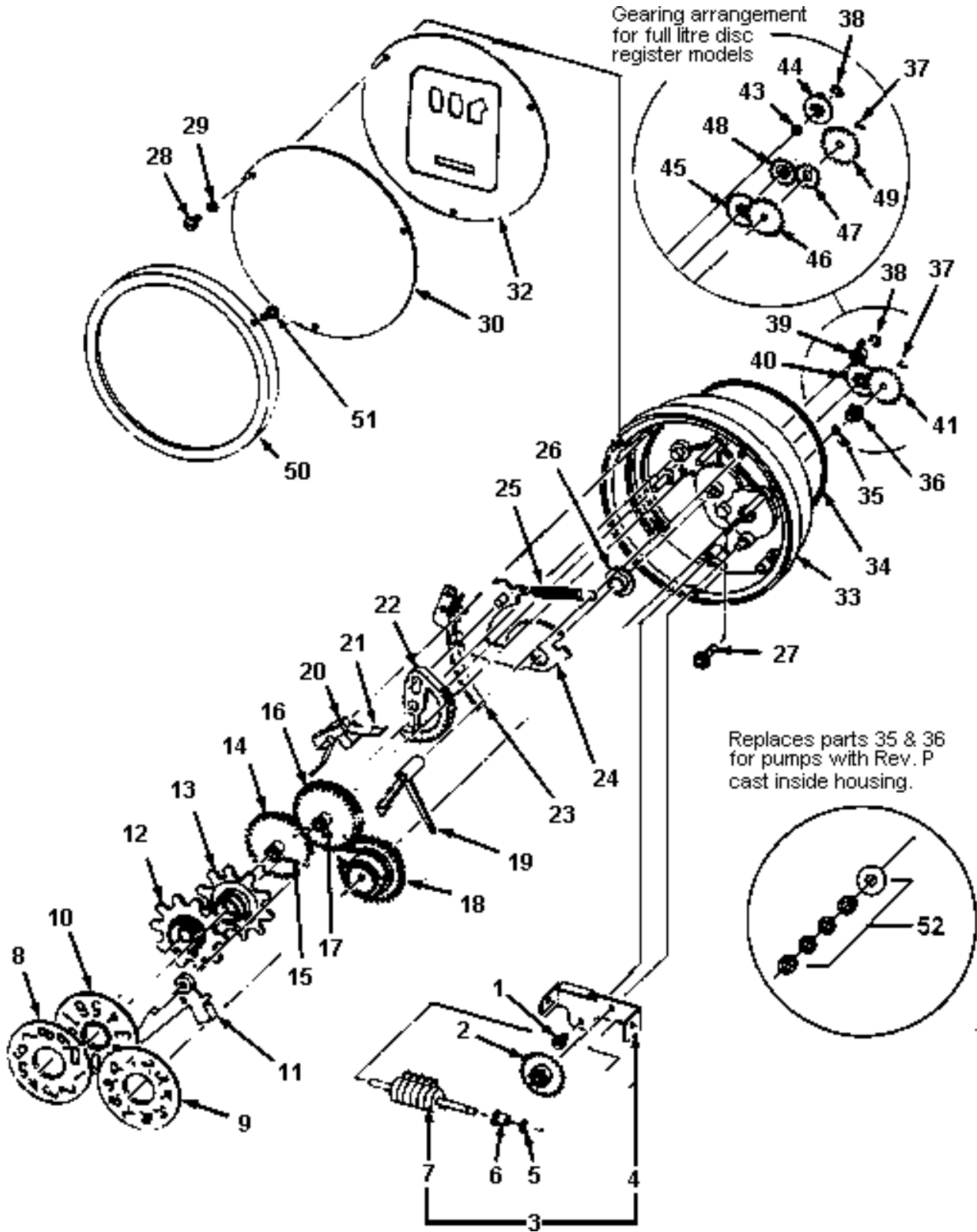


### 1860 3-WHEEL METER REGISTER (FOR MODEL 1820)



**1860 3-WHEEL METER REGISTER (FOR MODEL 1820)**

035634 US Measure

035640 Liter Measure, 1/10

036296 Liter Measure, Full

035638 Imperial Measure

Item	Part No.	Description
1	052840	Screw
2	028615	Totalizer Drive Gear
3	065305	Totalizer Assembly (items 4-7. Not sold separately.)
8	024280	L H Number disc
9	024310	R H Number disc
10	024220	Center Number disc
11	063220	Overthrow stop center & L H Wheels
12	028225	L H Count Wheel
12A	068994	L H Wheel Assembly (Includes items 12, 14, 15)
13	027580	Center Count Wheel
13A	068993	Center Wheel Assembly (Includes items 13, 16, 17)
14	028245	L H Reset Gear
15	042070	L H Reset Pawl
16	027600	Center Reset Gear
17	042040	Center Reset Pawl
18	068995	Wheel and Clutch Assembly
19	042055	Overthrow Stop Pawl
20	048805	Detent Spring Retainer
21	057580	Detent Spring
22	054325	Reset Sector Gear
23	056425	Reset Lever Shoe
24	033822	Reset Lever
25	057895	Reset Lever Spring
26	012085	Reset Lever Bearing
27	054955	Register Drive Gear & Shaft
28	052840	Dial Mask Screw
29	067780	Fiber Washer
30	028780	Dial Glass
32	035394	Dial Mask US Gallons & Imperial Gallons
	035380	Dial Mask, Liter, Tenths
33	022675	Register Housing
34	049075	O-Ring
35	048865	O-Ring
36	014095	Bearing and Seal Assy. (Use only when Rev K is cast inside of housing #33. If other Rev., see item 52.)
37	031345	Drive Key
38	049390	Retaining Ring
50	012250	Bezel (70 series)
51	053605	Bezel Screw (70 series)
52	036995	Bearing & Seal Assy. (Use only when Rev P is cast inside of housing #33. If other Rev., see item 36.)

*NOTE: Due to meter redesign, meters manufactured after May 10, 1995 use the **New Style** change gears. Older meters use the **Old Style** change gears.*

Item	Part No.	Description
<b>CHANGE GEARS-U.S. GALLONS (New Style) Gasoline or Diesel</b>		
39	012491	Control Block, 12T
	012490	Control Block, Bronze, 12T
40	028129	Cluster Gear, 32T-11T
41	028448	Drive Gear, 36T
<b>CHANGE GEARS-U.S. GALLONS (Old Style)</b>		
39	012491	Control Block, 12T
	012490	Control Block, Bronze, 12T
40	027715	Cluster Gear, Gas, 33T-11T
	027655	Cluster Gear, Dsl, 34T-11T
41	028448	Drive Gear, Gas, 36T
	028450	Drive Gear, Dsl, 37T
<b>CHANGE GEARS-IMPERIAL GALLONS</b>		
39	012491	Control Block, 12T
	012490	Control Block, Bronze, 12T
40	027670	Cluster Gear, Gas, 34T-10T
	027685	Cluster Gear, Dsl, 35T-10T
41	028465	Drive Gear, Gas, 38T
	028480	Drive Gear, Dsl, 39T
<b>CHANGE GEARS-LITERS, TENTHS (New Style) Gasoline or Diesel</b>		
39	012505	Control Block, 26T
40	027705	Cluster Gear, Gas, 18T-11T
41	028448	Drive Gear, Gas, 36T
<b>CHANGE GEARS-LITERS, TENTHS (Old Style)</b>		
39	012505	Control Block, 26T
40	027705	Cluster Gear, Gas, 18T-11T
	027700	Cluster Gear, Dsl, 19T-11T, 1820S only
41	028448	Drive Gear, Gas, 36T
	028465	Drive Gear, Dsl, 38T
<b>CHANGE GEARS-LITERS, FULL (999 LITERS)</b>		
3	065309	Totalizer Assembly (All Black Wheels)
9	024315	R H Number disc (Full Liter)
27	053318	Register Drive Gear & Shaft
32	035381	Dial Mask (Full Liter)
43	068454	Spacer Washer
44	012491	Control Block, 12T
	012490	Control Block, Bronze, 12T
45	028129	Cluster Gear, Gas, 32T-11T
	027655	Cluster Gear, Dsl, 34T-11T
46	028229	Gear, 38T
47	028230	Gear, 24T
48	028231	Cluster Gear, 14T-25T
49	028232	Drive Gear, Gas, 34T
	028228	Drive Gear, Dsl, 35T