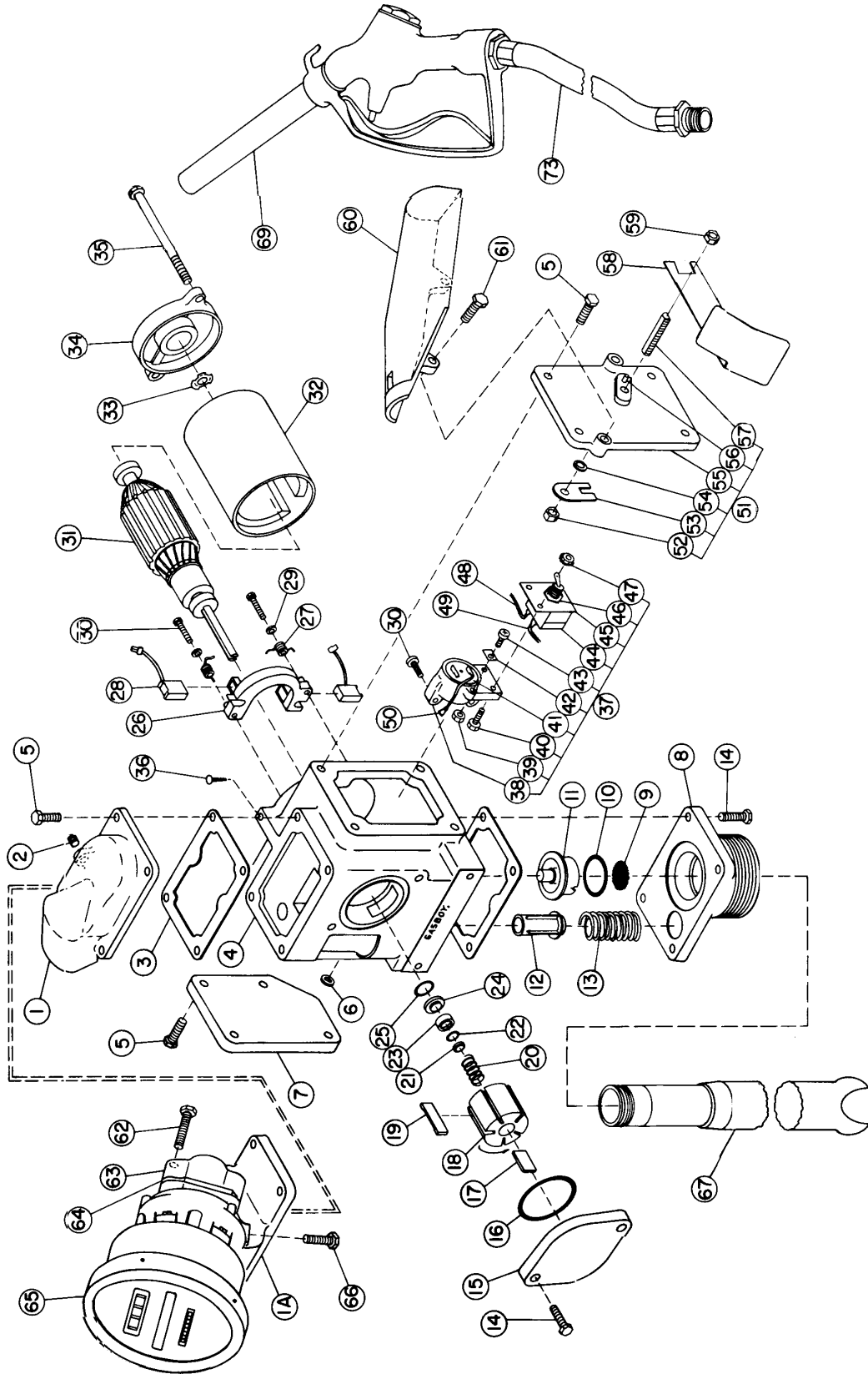


GENERAL ASSEMBLY



GENERAL ASSEMBLY

Item	Part No.	Description	Item	Part No.	Description
1	003349	Top Cover (Models 61 & 65 only)	37	037744	Motor Protector & Switch Assembly (12V) (incl. items 38 - 50)
	003047	Top Cover for Meter (Models 60, 64, 67, 68)		037746	Motor Protector & Switch Assembly (24V) (incl. Items 38 - 50)
	003522	Top Cover w/Vac. Brkr.			
	003041	Cenex Top Cover, 1" NPT Top Center	38	031017	Housing - Motor Protector
	026204	Cenex Top Cover w/Vac. Brkr	39	039055	Nut
2	066570	Vacuum Breaker Assy.	40	052707	Machine Screw
3	026801	Gasket	41	037743	Motor Protector (12V)
4	003759 **	Pump Housing		037745	Motor Protector (24V)
5	051810	Machine Screw	42	020896	Retaining Clip
	051808	Machine Screw (Cenex covers)	43	053665	Screw
6	063185	Wire Stop	44	064334	Switch (DPST)
7	003476	Junction Box Cover	45	046957	Switch Plate
8	003028	Base Adapter	46	039150	Lock Nut
9	051586	Strainer	47	039070	Keys Nut
10	049066	O-ring	48	069150	Wire Assembly
11	066686	Check Valve Assembly	49	069149	Wire Assembly
12	066825	Bypass Valve	50	069151	Wire Assembly
13	057394	Bypass Spring	51	064352	Switch Cover Assembly (incl. Items 52 - 57)
14	051805	Machine Screw	52	038920	Nylok Nut
15	003488	Pump Cover	53	069687	Yoke
16	049061	O-ring	54	067164	Spring Washer
17	031316	Key	55	003469	Switch Cover
18	051482	Rotor	56	043101	Switch Actuator Stop
19	067018	Vane	57	054439	Switch Shaft
	032867	Seal Group (Incl. items 20-25)	58	014697	Switch Bracket
20	057393	Spring	59	038920	Nylok Nut
21	067166	Washer	60	000328	Nozzle Boot
22	048845	O-ring	61	051865	Machine Screw
23	054133	Rotating Seal Ring	62	052090	Machine Screw
24	054131	Seal Ring	63	003645	Flange Outlet
25	048846	O-ring	64	027055	Gasket
26	015843	Brush Holder	65		Meter & Register Assembly (See breakdown for your model)
27	057395	Brush Spring			Register Assembly only (See breakdown for your model)
28	015844	Brush Assembly	65		
29	067163	Fiber Washer			
30	052706	Machine Screw			
31	010948 ***	Arm/Bearing Assy (New 12V)	66	052556	Screw
	010946 ***	Arm/Bearing Assy (Old 12V)	67	064895	Telescopic Suction
	010949 ***	Arm/Bearing Assy (New 24V)	69	038475	Nozzle w/ Hook - Leaded
	010947 ***	Arm/Bearing Assy (Old 24V)		038471	Nozzle w/ Hook - Non-leaded
	*010921	Armature, 12V		038511	Hook Assy, EMCO A2000 (incl set screw) (Not Shown)
	*010922	Armature, 24V			
	*011922 ***	Bearing (New)	73	030539	Hose - 5/8 X 12' Softwall
	*011832 ***	Bearing (Old)	74	067162	Brush Support
32	035174	Magnet Barrel Assembly	75	017391	Cable, Power (Not Shown)
33	068953 ***	Bearing Spring (New)	76	020750	Strain-Relief Cable (Not Shown)
	068951 ***	Bearing Spring (Old)			
34	003468 **	End Cover			
35	051282	Tie Rod			
36	052242	Locating Pin	048521		Filter Kit (Optional; Model 61)

* Indicates part is a subpart of preceding part.

** Parts ordered after 8-26-97 will be machined for "New" bearing design.

*** As of pump S/N 718173 (12V) or S/N 195052 (24V), a design change was made requiring the use of parts marked "New".