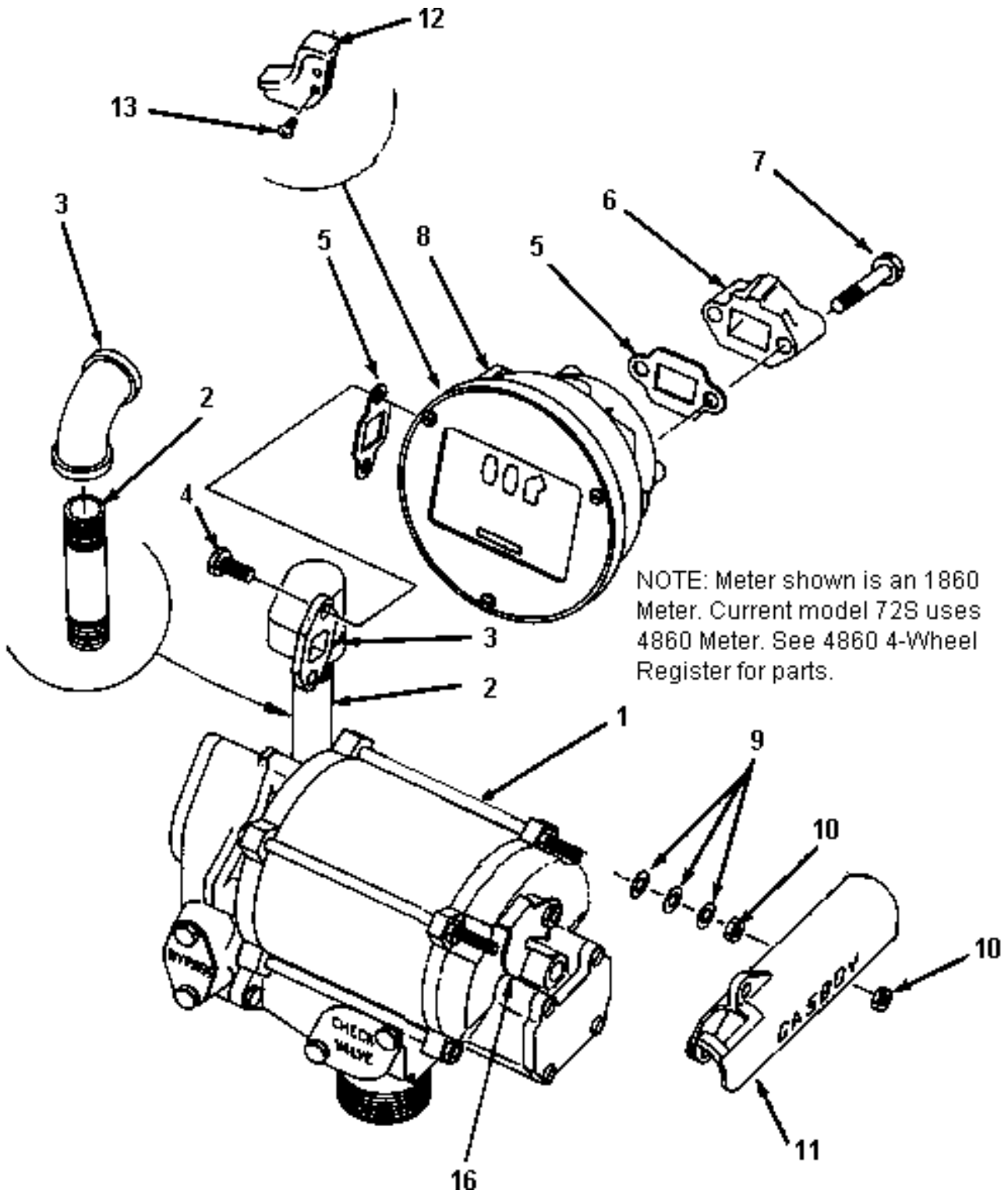


SERIES 70 ASSEMBLY



SERIES 70 ASSEMBLY

Item	Part No.	Description
1		Pump Assembly (See <i>Direct Drive Motor Parts List</i>)
2	044089	3/4" X 6-7/8" Pipe Nipple
3	003597	Flanged Inlet, 72S
	024934	Elbow, 72X & 73
4	052000	Screw
5	027055	Gasket
6	003542	3/4" Horiz. Dschg for Vacuum Breaker
	003544	1" Horiz. Dschg for Vacuum Breaker
7	052105	Screw
8		Meter Register Assy (See <i>breakdown for your model</i>)
9	068020	Washer
10	039085	Hex Nut
11	000325	Nozzle Boot
12	029410	Reset Lever Handle
13	053900	Reset Lever Screw
14	030539	Hose, 5/8 x 12 ft. (Not Shown)
15	038471	Nozzle, 3/4" EBW-unl.(Not Shown)
16	034121	Motor Switch Lever
17	066534	Vacuum Breaker (Not Shown)

OPTIONAL ACCESSORIES

PART	DESCRIPTION	PART	DESCRIPTION
032814	Filter Kit (1820/1820R) (Contains * items shown below)	037461	Motor for 50 cycle, 230V
*017270	Bushing, 3/4" x 1"	038471	Nozzle - 3/4" Manual-Unleaded
*043960	Pipe tube, 3/4" x 2"	038475	Nozzle - 3/4" Manual- Leaded
*003043	Adapter, Filter 3/4"	038519	Nozzle-Automatic-Unleaded-Husky
*024940	Elbow, street 3/4" x 90	038520	Nozzle-Automatic-Leaded-Husky
*026005	Filter, Wix 24006 dsl/gas	038510	Hook Assy., OPW 11A
030340	Hose-3/4" x 14 ft.	038511	Hook Assy., EMCO A2000
030355	Hose-3/4" x 15 ft.	038503	Hook Assy., OPW 7H
		032700	Kit, Vacuum Breaker Tubing and Fittings